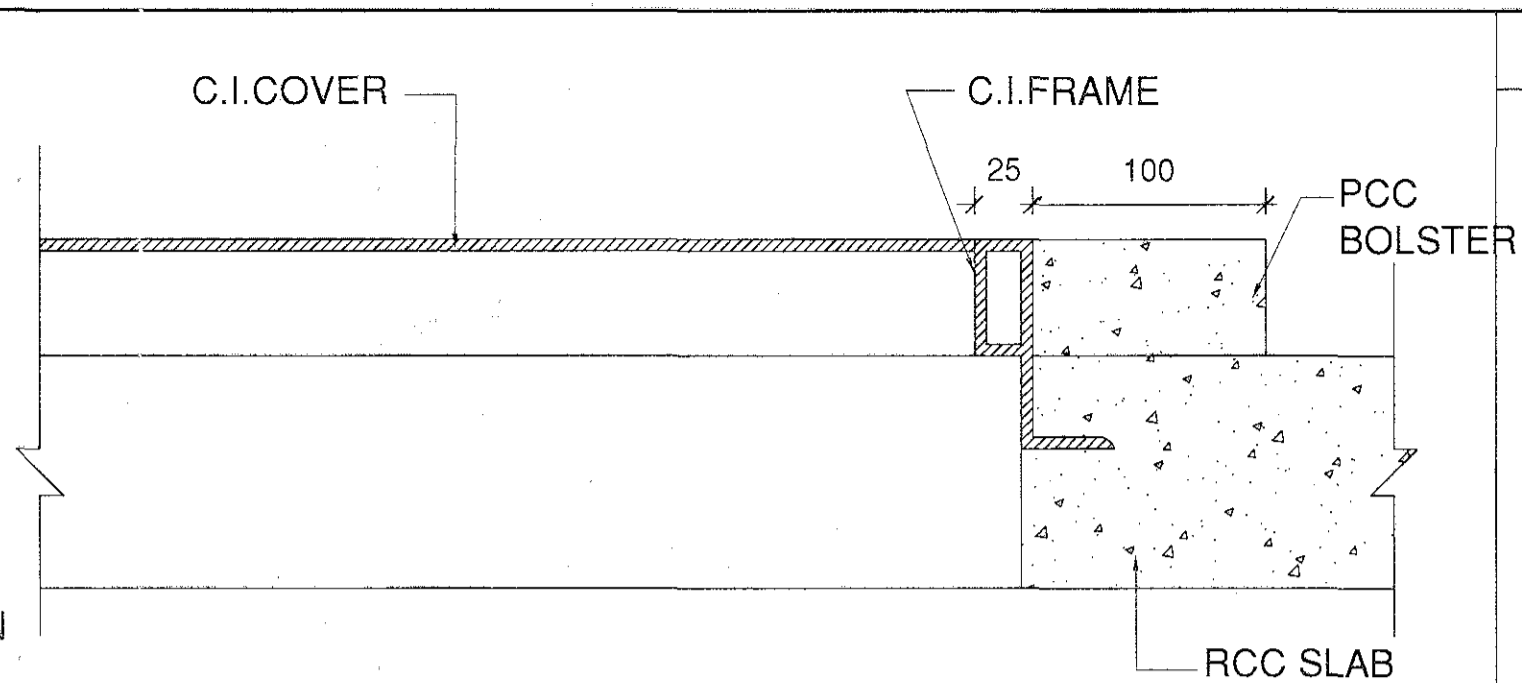


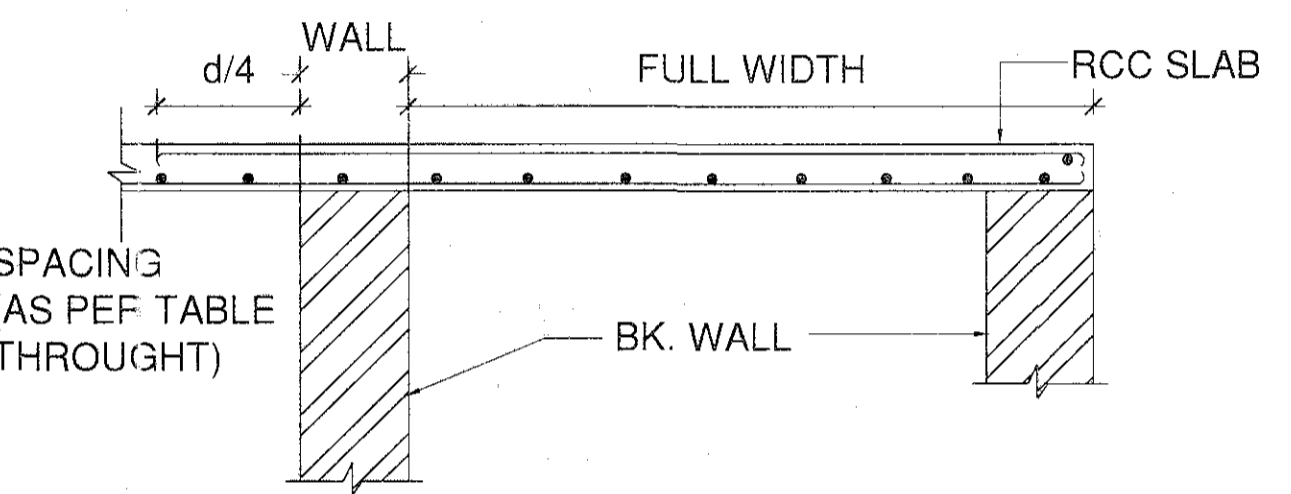
**TYPICAL SECTION OF SOAK WELL AT A-A**

SCALE :- 1: 50



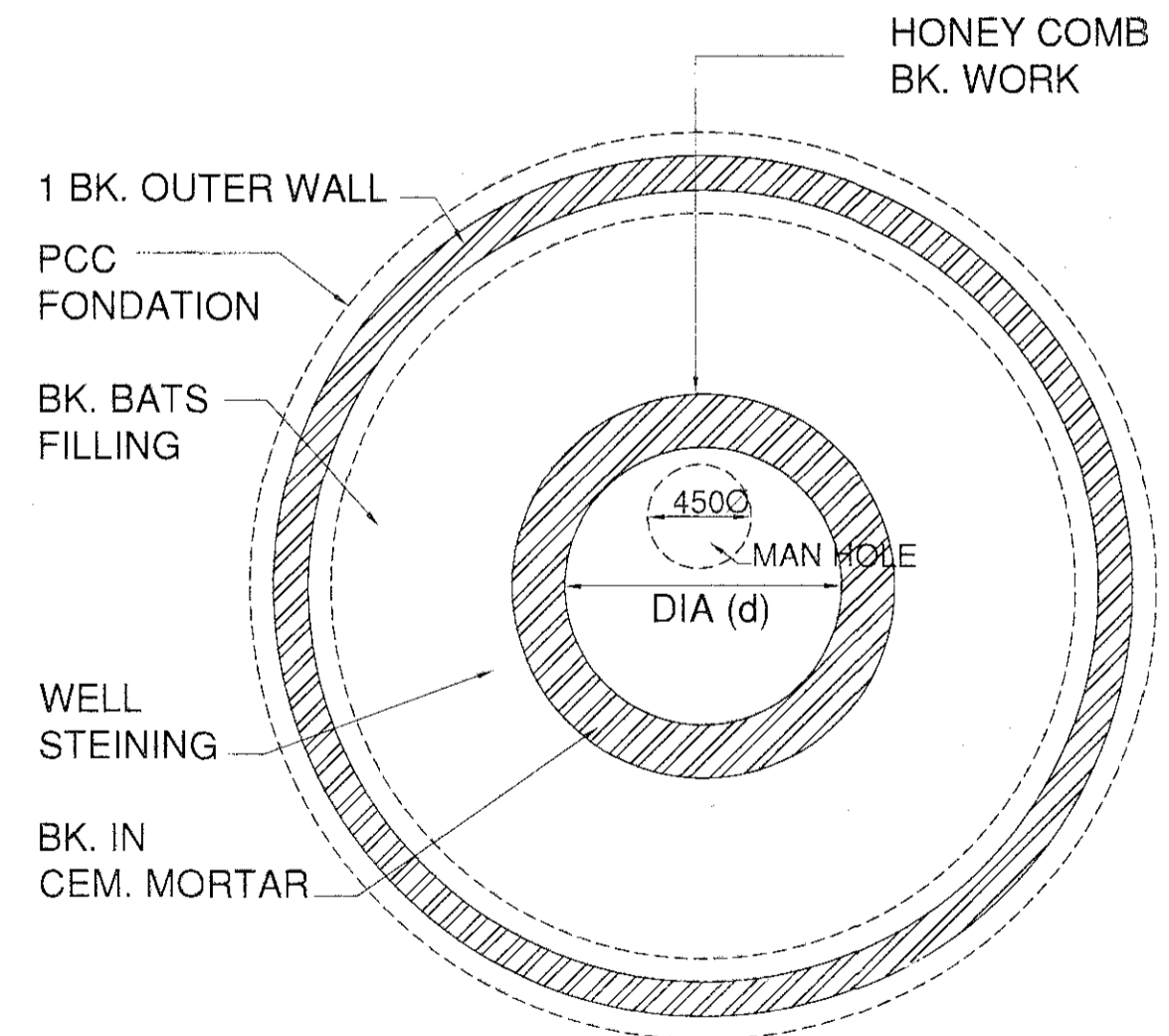
**FIXING DETAILS OF C.I. COVER**

SCALE:- 1:10



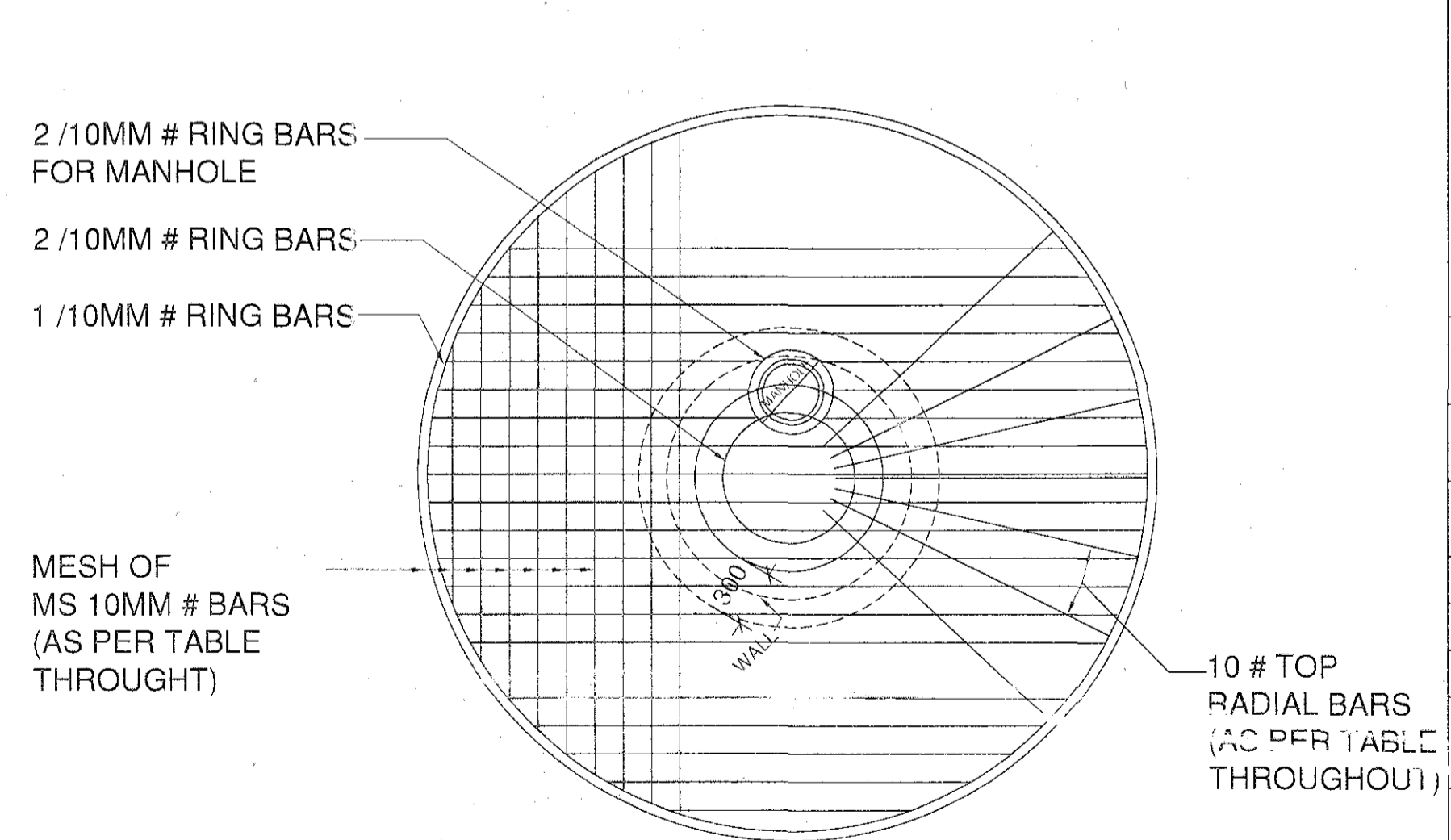
**SEC. SHOWING TOP RADIAL REINFORCEMENT**

SCALE :- 1: 50



**TYPICAL PLAN OF SOAK WELL**

SCALE :- 1: 50



**TOP PLAN:- TYPICAL RCC PLAN OF SLAB**

SCALE :- 1: 50

- NOTES**
1. CONTRACTOR TO CHECK AND VERIFY ALL DIMENSIONS BEFORE EXECUTION OF THE WORK.
  2. ALL DIMENSIONS ARE GIVEN IN MILLIMETER UNLESS OTHERWISE SHOWN
  3. FIGURED DIMENSIONS SHALL BE FOLLOWED.
  4. THE DIAMETER 'd' WILL BE INTERNAL DIAMETER OF THE SOAK WELL. THE EFFECTIVE DIA FOR THE ABSORPTION WILL BE 'd'+ 0.9+2 METERS.
  5. HONEY COMB BK. WORK WILL BE 1/3 OF TOTAL CIRCUMFERENCE OF THE WELL.
  6. 100MM TH. PCC BAND SHOWN IN SECTION 'A-A' WILL BE PROVIDED WHEREVER THE THICKNESS OF WALL CHANGES.
  7. THE C/C SPACING OF RADIAL BARS TO BE TAKEN FROM THE CENTER LENGTH OF EACH RADIAL BAR.
  8. FOR TABLE REFER SHEET NO.2/2
  9. INCASE OF PCC BLOCK CONSTN. THE WALL THICKNESS SHALL BE ADJUSTED ACCORDINGLY.
  10. FOR STONE CONSTN. THE WALL THICKNESS SHALL BE 380, 570 & 760 INSTEAD OF 1 BK, 1 1/2 BK. & 2 BK. RESPECTIVELY OTHER DIMENSIONS SHALL BE ADJUSTED ACCORDINGLY.
  11. ALL BRICK MASONRY INCLUDING HONEY COMB WALL WILL BE IN BURNT CLAY BRICKS AS PER IS CODE (COMPRESSING STRENGTH NOT MORE THAN 50 KG/SQ.CM)

SL NO	DATE	DESCRIPTION	INITIAL
<b>REVISION</b>			
<b>TYPICAL SOAK WELL</b>			
<b>PLANS, ELEVATION, SECTIONS AND DETAILS</b>			
DATE	30 APR 2019	<b>CHIEF ENGINEER PUNE ZONE PUNE</b>	<b>SHEET NO 1/2</b>
DRAWN	San		
TCD			
CKD			
SCALE	AS SHOWN	DRG NO : CEPZ/2019/TD/03	
AAD(ARCH)		DIR/JT DIR ARCH FOR CHIEF ENGINEER	